

Knothole News

www.greencountrywoodworkers.org



PRESIDENT'S MESSAGE



Greetings,

The September meeting is this Thursday at Earl Smith's and it is going to be our opportunity to finalize plans for the annual Toy Build, planned group completion will be our November meeting at Earle's. We've talked about what to build as a group and now it's time to consider our options and decide how that is going to happen.

If you have a favorite plan or idea that you think would work, please bring it for inclusion in the discussion. There is nothing that says we can't do more than one design as the Club project or come up with a new way to organize the effort.

And, as always, your own individual contributions to the Toys for Tots program is essential. If you know what you want to do on your own, this meeting would be a good time to let Jim Rouse know your wheel needs. He is trying to make one order for timeliness and cost savings.

Remember to bring your "Show & Tell" to share. It is always great to see what you have been doing to contribute to that pile of sawdust on your shop floor.

Hope to see you this Thursday.

Bill Nay, President

THIS MONTH'S MEETING

Thursday, September 14, 2023 @ 6:30 PM

Earle Smith's Shop (see page 9 for a map & directions)

7115 East Jackson Place, Broken Arrow

Program is going to be focused on the Club's Toy Build

Officers

President

Bill Nay 918-492-8481

Vice-President

Gregg Zumwalt 918-605-2761

Secretary

Bill Morgan 918-369-6435

Treasurer

Mike Ruttgen 701-207-0712

Club Committees

Continuing Board Member

Harold Blalock

Luncheon

Bill Morgan 918-369-6435

Membership Management

Vacant

Name Tags

Mike Ruttgen 701-207-0712

Newsletter

Ray Hucek 918-618-2980

Program Coordinator

Vacant

Toys / Show & Tell

Betty Zumwalt 918-249-4663

Toy Wheels & Axles

Jim Rouse 918-636-9286

Webmaster & Photographer

Arthur Barber 918-671-2437

Minutes from Last Month's Meeting by Bill Morgan

The GCWW club met on 8/10/23 at the Hardesty Branch Library. A total of 13 members were in attendance. Bill Nay called the meeting to order and reminded the group that we had a table at this year's Woodcarvers show (8/11 & 8/12). Sign up sheets were available and we were able to cover both days of the show. Several members agreed to bring samples of their work to display at the table.

Bill Nay brought in a number of sample toys from our previous Christmas toy build efforts and Venton Knarr brought in a toy jeep that he built from a photo as a possibility. At our next meeting we'll work to narrow down the choices for this year's group toy build. As always members are encouraged to individually build toys as well.

Due to limited time (as well as attendance) at last month's meeting, we were unable to complete our router discussions. Bill Nay brought in his "Router Crafter" again and reviewed it's capabilities. This relatively simple device can accomplish a lot of what a lathe does and a few things that aren't easily done on a lathe.

Bill also reviewed one of his favorite routers - a DeWalt variable speed plunge router with a soft start feature and an efficient dust collection arrangement.

He brought in several shop made jigs as well as commercially available jigs for routing circles. Many furniture plans call for elliptical shapes and Bill reviewed techniques for laying out and cutting various size ellipses.

Gregg Zumwalt shared his experiences with different types of router bits including Freud's 4-sided bits which produce very smooth cuts and allow the user to take deeper cuts with each pass.

Photos From Last Month's Meeting



Photos From Last Month's Meeting



Content Submitted by Club Members



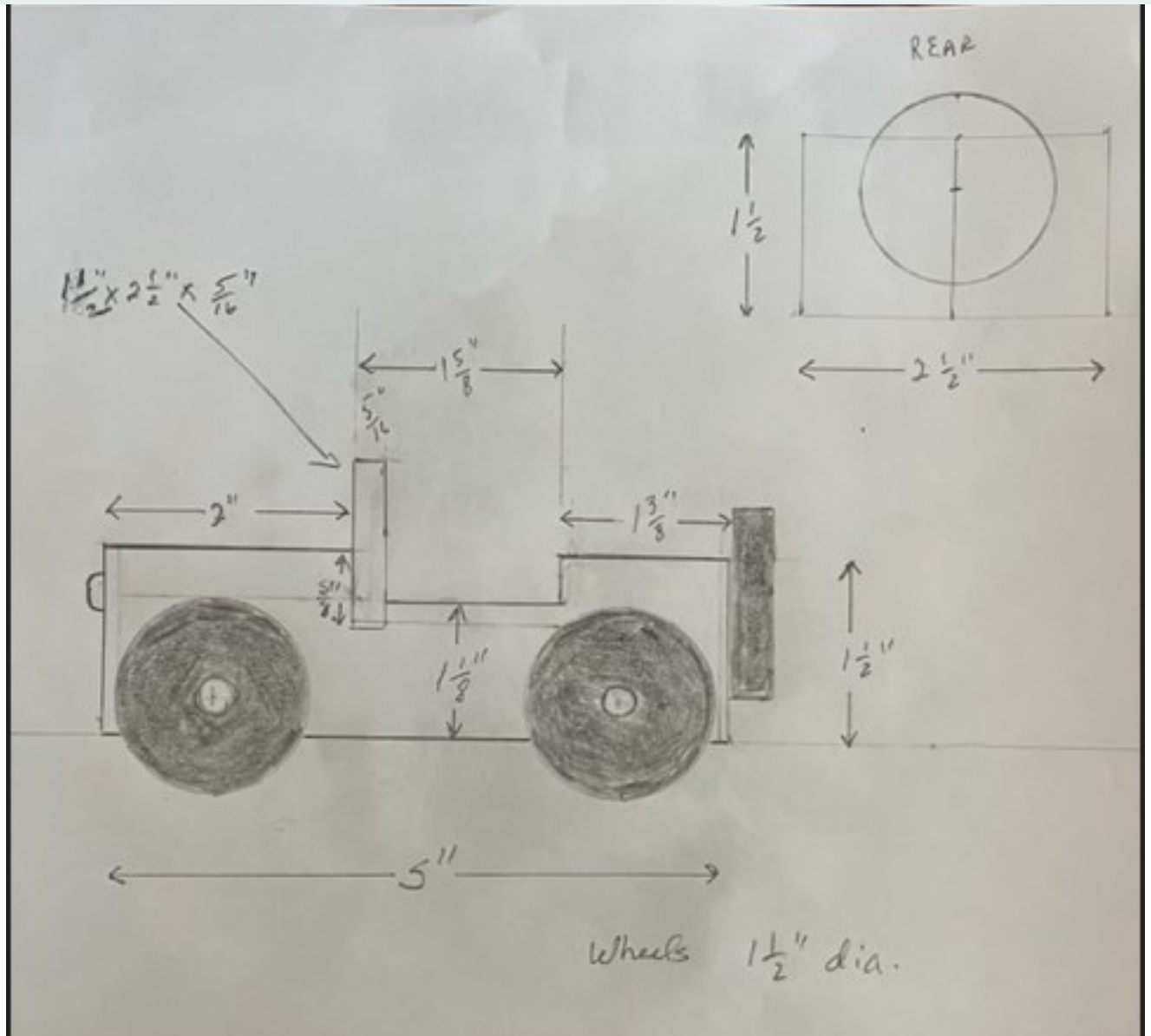
Sanded and finished a linen cabinet. Finished construction a while ago then went on to other projects for about a month. Finally faced the chore of sanding so finish could be applied. - **Gregg Zumalt**

Here is a picture of a Toys for Tots car that I designed. It is based upon an Audi TT. This "Barbie" car is for girls. I plan to make 30 or so of these. A plan is available if anyone is interested in making some.

Vinton Knarr



Content Submitted by Club Members



Plan for Jeep... Earle said windshield corners should be rounded.

Vinton Knarr



Content Submitted by Club Members



Recent projects of
Bill Nay



“American Chestnut” from www.wood-database.com



Common Name(s): American Chestnut

Scientific Name: *Castanea dentata*

Distribution: Eastern United States

Tree Size: 100-120 ft (30-37 m) tall, 5-7 ft (1.5-2.0 m) trunk diameter*

*Because of the chestnut blight of the early 1900s, very few trees of this size currently exist

Average Dried Weight: 30 lbs/ft³ (480 kg/m³)

Specific Gravity (Basic, 12% MC): .40, .48

Janka Hardness: 540 lbf (2,400 N)

Modulus of Rupture: 8,600 lbf/in² (59.3 MPa)

Elastic Modulus: 1,230,000 lbf/in² (8.48 GPa)

Crushing Strength: 5,320 lbf/in² (36.7 MPa)

Shrinkage: Radial: 3.4%, Tangential: 6.7%, Volumetric: 11.6%, T/R Ratio: 2.0

Color/Appearance: Heartwood is a light to medium brown, darkening to a reddish brown with age. Narrow sapwood is well-defined and is pale white to light brown. Wormy Chestnut is also seen, which is chestnut that has been damaged by insects, leaving holes and other discoloration in the wood.

Grain/Texture: Grain is straight to spiral or interlocked. With a coarse, uneven texture.

Endgrain: Ring-porous; 2-4 rows of large, exclusively solitary earlywood pores, numerous small latewood pores in dendritic arrangement; tyloses common; growth rings distinct; rays not visible without lens; apotracheal parenchyma diffuse-in-aggregates (short lines between rays).

Rot Resistance: Rated as very durable, though many trees killed by the chestnut blight of the early 1900s were left standing and eventually were damaged by insects.

Workability: Overall easy to work with both hand and machine tools. Chestnut splits easily, so care must be taken in nailing and screwing the wood. Due to its coarse texture, turning is mediocre. Glues, stains, and finishes well.

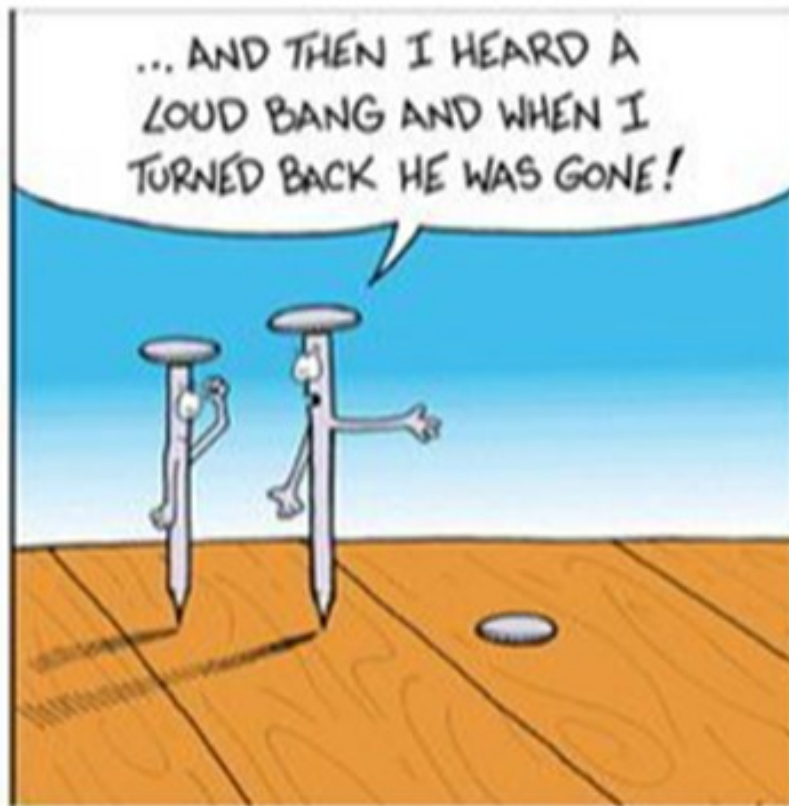
Odor: No characteristic odor.

Allergies/Toxicity: Although no adverse health effects have specifically been reported for American Chestnut (*Castanea dentata*), other types of Chestnut in the *Castanea* genus (*C. sativa* and *C. mollissima*) have been reported to cause skin irritation. See the articles Wood Allergies and Toxicity and Wood Dust Safety for more information.

Pricing/Availability: Because of the blight wiping out nearly all mature American Chestnut trees, its lumber is both rare and (relatively) valuable. Wormy Chestnut in particular is usually salvaged from old barns and other structures, and reprocessed and sold as reclaimed lumber. Prices are likely to be high for a domestic hardwood.

Comments: Caused by an accidentally introduced Asian bark fungus (*Cryphonectria parasitica*), the chestnut blight of the early 1900s was responsible for killing over three billion chestnut trees. The wood in these standing trees was subsequently damaged by insects, leaving holes and discoloration. The trees were then subsequently harvested and converted into lumber (called Wormy Chestnut). Between the nail holes, discoloration, worm and insect damage, Wormy Chestnut is preferred in applications where a rustic or unpolished appearance is desired.

MEETING LOCATION

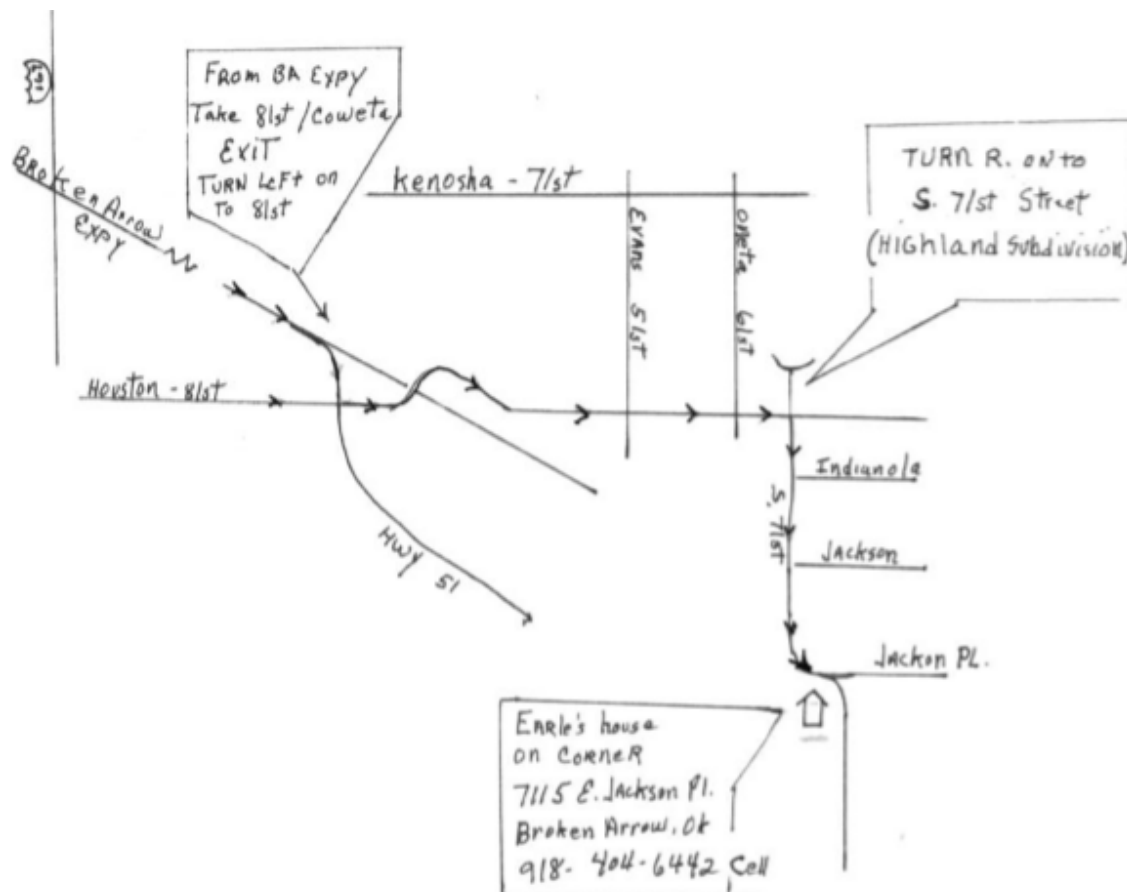


Earle Smith's
Shop

7115 East
Jackson Place

Broken Arrow

918-404-6442



GREEN COUNTRY WOODWORKERS

The Green Country Woodworkers are made up of men and women who are interested in woodworking as a hobby.

The monthly meetings are conducted as educational forums for the benefit of our members and guests. We have idea exchanges, problem solving sessions, safety tips and tool tips plus a main speaker on topics related to woodworking in all its phases.

The club sponsors community service projects such as making Toys for Tots at Christmas and supporting Beads of Courage by turning bowls and making boxes for children undergoing cancer treatment at Children Hospital at Saint Francis. The containers hold the children's beads. The beads represent their treatment progress.

KNOTHOLE NEWS

c/o Ray Hucek
ray@hucek.com
(918)619-2980 mobile

OBJECTIVES

- To provide the Knothole News, a monthly newsletter
- To promote woodworking and participate in woodworking and craft shows to inform the public of club activities
- To make wooden toys which are donated to selected organizations throughout the year
- Monthly Show & Tell; all items entered in the show and tell will be presented to the membership by the builder

Membership applications are available at each meeting from the club secretary or treasurer. At this time, no membership fee is charged.

MEETINGS

The club meets on the second Thursday of each month at 6:30PM at Hardesty Regional Library.

We also have a monthly dinner/social on the 4th Thursday of the month at 6:00PM; the location is determined during the regular monthly meeting.

WWW.GREENCOUNTRYWOODWORKERS.ORG

Please be sure to check out our web site for more information about the organization, past Knothole News publications, pictures, resources, etc.

