

Knothole News

www.greencountrywoodworkers.org



PRESIDENT'S MESSAGE



Greetings,

Let's Celebrate Christmas!

Reservations for a private room have been made at the Silver Skillet. Mike Mitchell contacted Toys for Tots and their representative has been invited as a guest to our Christmas dinner. After dinner the toys will be presented to Toys for Tots.

I wish I could be there to thank you personally, but I do appreciate your time and talent in support of this worthwhile program run by the United States Marine Corps Reserve.

Enjoy the Christmas dinner; family and friends are always welcome. Merry Christmas and Happy New Year to all.

Bill Nay, President

THIS MONTH'S MEETING

Thursday, December 12, 2019 at 6:00PM

The Silver Skillet at 61st and Memorial

(see page 7 for directions and a map)

Christmas Party with TOYS FOR TOTS

"Toy Presentation"

Officers

President

Bill Nay 918-492-8481

Vice-President

Gregg Zumwalt 918-605-2761

Secretary

Bill Morgan 918-369-6435

Treasurer

Ray Hucek 918-618-2980

Club Committees

Continuing Board Member

Harold Blalock

Luncheon

Bill Morgan 918-369-6435

Membership Management

Vacant

Name Tags

Ray Hucek 918-618-2980

Newsletter

Mike Ruttgen 620-717-4520

Program Coordinator

Vacant

Toys / Show & Tell

Betty Zumwalt 918-249-4663

Toy Wheels & Axles

Jim Rouse 918-636-9286

Webmaster & Photographer

Arthur Barber 918-671-2437

Minutes from Last Month's Club Meeting by Bill Morgan

The GCWW club met on 11/14/19 at Bill Nay's shop. In attendance were Bill Nay, Gregg Zumwalt, Mike Mitchell, Arthur Barber, Mike Ruttgen, Earle Smith, Robert Rothenbacher, Vinton Knarr, Jim Rouse, Harold Blalock, and Bill Morgan.

Bill Nay called the meeting to order and led the group through a few points of club business. The December meeting will be a dinner (at 6:00) at the Silver Skillet near 61st and Memorial. Mike Mitchell has made the reservations and will contact the Toys for Tots coordinator who will be there to accept this year's toy donation. Jim Rouse will canvas the membership and come up with a total number of toys which we will be donating.

Since this month's 4th Thursday falls on Thanksgiving, we agreed to have a "3rd Thursday" dinner on 11/21. It will be at 6:00 at Olivetos which is at 91st and Memorial.

Mike Ruttgen brought in the t-track that he purchased in bulk (to avoid shipping costs) and several members took advantage of the opportunity and "repurchased" some of the 4' lengths for \$9 each.

Robert Rothenbacher salvaged some of the white oak flooring that is being replaced at his home (due to water damage) and brought in a partially finished box to use for the evening's demonstration. He had assembled the box including the top and bottom but had not added any keys to the corners or cut the lid free. Robert had distributed plans for a jig for use in cutting key slots, and brought in a similar jig that he built several years ago when he was making a lot of jewelry boxes.

Robert and Bill Nay had set up the jig on Bill's table saw and had installed a flat bottom blade to cut the spline slots. Robert proceeded to cut double slots on both the top and bottom of each corner while explaining how to layout the cuts and put up stops to ensure consistency. He had previously made walnut splines and he reviewed his methodology for doing that and how he will glue them into the box corners.

Robert will glue the splines in place and at the January meeting (at his shop) he'll demonstrate how he works them down and cuts the top free and adds hinges. He brought along a few completed boxes and talked and talked about alternate construction methods. One of the boxes had "liner pieces" that nest under the lid when the box is closed. This "lip" engages with the top resulting in snug fit when the box is closed and adds a little resistance when it's opened.

Vinton Knarr brought in a dovetail jig he uses to construct the joints on the backgammon sets he builds. The joints are made with tapered dovetail joints that go together with tapered keys. As the keys are driven into place, the joint is pulled together resulting in a very tight fit. Vinton has agreed to demonstrate the use of the jigs at the June meeting at Gregg Zumwalt's shop. Details on the jigs can be found at infintyttools.com.

Bill provided coffee and a variety of snacks as well as a great forum for sharing our woodworking experiences.

Woodworking is a most satisfying pastime, so varied and multifaceted you will never complete the twin processes you have undertaken: acquiring tools and learning how to use them. You have begun a lifetime pursuit. ~Michael Dunbar, "Essential Tools"

Photos from Last Month's Meeting



Hosts for Upcoming Meetings

January	Robert Rothenbucher
February	Earle Smith
March	Bill Morgan
April	Harold Blalock
May	Jim Rouse
June	Gregg Zumwalt
July	Robert Rothenbucher
August	TBD

Open Positions

- Program Coordinator
- Membership Management

Robert Rothenbucher showed us a box that he made with 1/8" thick hardwood splines. He remarked that these splines are great for smaller boxes, e.g., jewelry boxes.



This is his sled that holds the corner of the assembled box at 45 degrees to the table saw table.

Photos from Last Month's Meeting (continued)

Bill Nay makes a few passes with the sled. Set the blade height so that it doesn't cut through to the inside of the box and clamp a stop block to the sled. Make a cut through one corner and then rotate the box for the other 3 corners.

Then turn the box over, from top to bottom, to cut a second set of slots that are the same distance from the stop block.



Hardwood splines are inserted/glued into the slots, trimmed flush and sanded smooth.



(close-up of spline in slot)



Photos from Last Month's Meeting (continued)

Vinton Knarr showed us his Tapered Dovetail Spline Jig. With this design, you cut the slots (in a pre-assembled box) with a jig using a router, glue in tapered splines and trim flush; the splines can be cut with a sled on your table saw.



You can produce some fancy joinery as illustrated by this stock photo.

For more information and videos on the jig, go to this web site:

www.infinitytools.com/shop-essentials/cabinetry-and-joinery/dovetail-joinery/tapered-dovetail-spline-router-jigs-wo-sled



Show and Tell

Robert showed us a box with a tray insert that he made using dovetail joinery; very nice work!

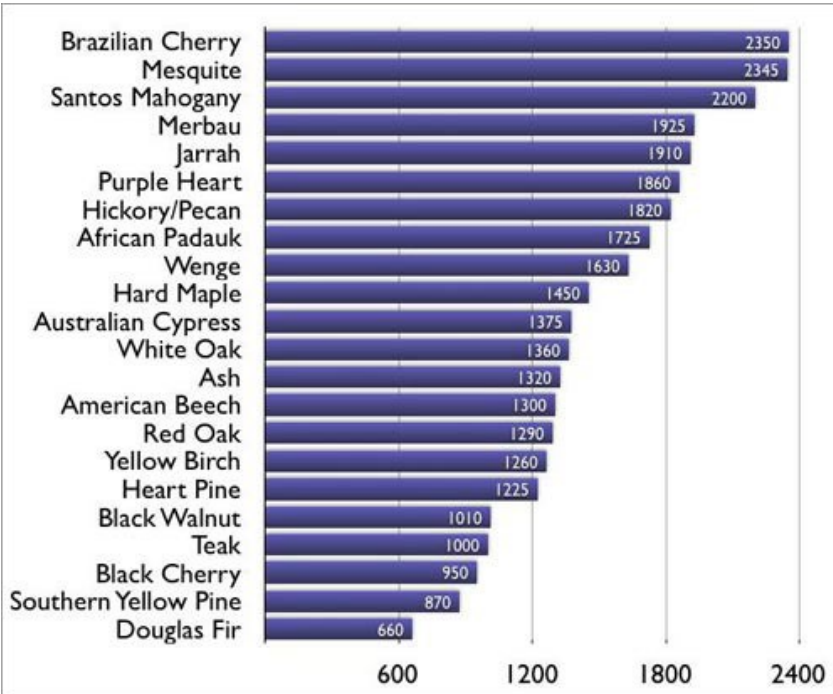


FYI, a different camera captured these two photos.



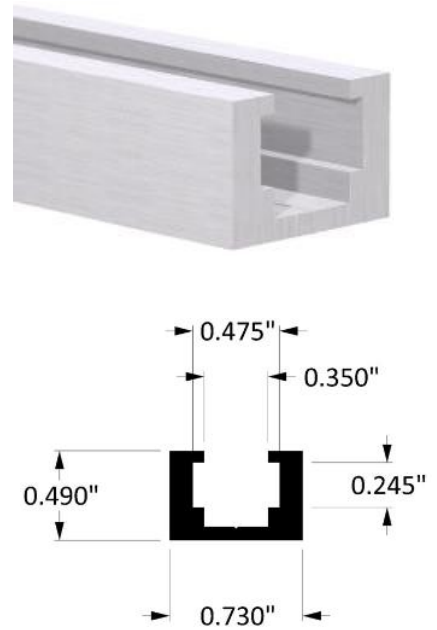
Janka Hardness

While researching planers, Mike Ruttgen ran across this chart showing the Janka Hardness Rating for a number of commonly used species. The larger the number, the harder the workpiece. The Janka Hardness Rating is expressed in pounds of force required to embed a 0.444" steel ball into the surface of the wood to a depth equal to half the ball's diameter.



T-Track (left over)

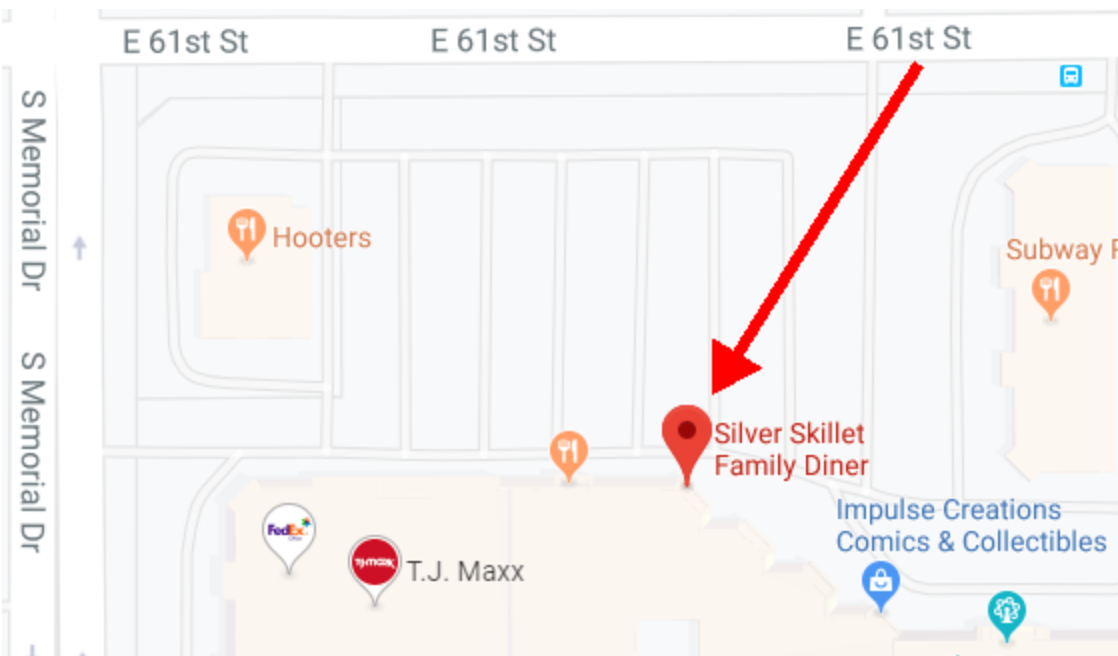
Mike Ruttgen still has T-Track for sale for \$9.00 each. He has 3 pieces, 4' long. He will bring them to upcoming meetings.



The Silver Skillet Family Diner

8228 E 61st St suite 114, Tulsa, Oklahoma 74133

(918) 940-3888



GREEN COUNTRY WOOD- WORKERS

The Green Country Woodworkers are made up of men and women who are interested in woodworking as a hobby.

.....

The monthly meetings are conducted as educational forums for the benefit of our members and guests. We have idea exchanges, problem solving sessions, safety tips and tool tips plus a main speaker on topics related to woodworking in all its phases.

.....

The club sponsors community service projects such as making Toys for Tots at Christmas and supporting Beads of Courage by turning bowls and making boxes for children undergoing cancer treatment at Children Hospital at Saint Francis. The containers hold the children's beads. The beads represent their treatment progress.

KNOTHOLE NEWS

c/o Mike Ruttgen
rruttgen@att.net
(620) 717-4520, landline

OBJECTIVES

- To provide the Knothole News, a monthly newsletter
- To promote woodworking and participate in woodworking and craft shows to inform the public of club activities
- To make wooden toys which are donated to selected organizations throughout the year
- Monthly Show & Tell; all items entered in the show and tell will be presented to the membership by the builder

Membership applications are available at each meeting from the club secretary or treasurer. At this time, no membership fee is charged.

MEETINGS

The club meets on the second Thursday of each month at 6:30PM, typically at a designated member's shop. The upcoming location and topic are published in advance in the Knothole News.

We also have a monthly dinner/social on the 4th Thursday of the month at 6:00PM; the location is determined during the regular monthly meeting.

WWW.GREENCOUNTRYWOODWORKERS.ORG

Please be sure to check out our new web site for more information about the organization, past Knothole News publications, pictures, resources, etc.

